

# PRODUCT INFORMATION PACKET

Model No: 5KCR49SN0042S  
Catalog No: C1302  
1,1725/1425,TENV,56,1/60/115/208-230  
Single Phase



Regal and Marathon are trademarks of Regal Beloit Corporation or one of its affiliated companies.

©2018 Regal Beloit Corporation, All Rights Reserved. MC017097E



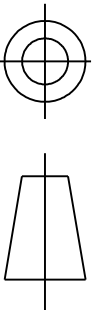
### Nameplate Specifications

Output HP	<b>1 Hp</b>	Output KW	<b>0.75 kW</b>
Frequency	<b>60 Hz</b>	Voltage	<b>115/208-230 V</b>
Current	<b>9.6,5.2-4.8 A</b>	Speed	<b>1725 rpm</b>
Service Factor	<b>1.3</b>	Phase	<b>1</b>
Efficiency	<b>77 %</b>	Duty	<b>Continuous</b>
Insulation Class	<b>B</b>	KVA Code	<b>H</b>
Frame	<b>56</b>	Enclosure	<b>Totally Enclosed Non Ventilated</b>
Overload Protector	<b>AUTO</b>	Ambient Temperature	<b>40 °C</b>
Drive End Bearing Size	<b>6203</b>	Opp Drive End Bearing Size	<b>6203</b>
UL	<b>Recognized</b>	CSA	<b>Yes</b>
CE	<b>N</b>		

### Technical Specifications

Electrical Type	<b>Capacitor Start Capacitor Run(CSCR)</b>	Starting Method	<b>SM</b>
Poles	<b>4</b>	Rotation	<b>Selective Counterclockwise</b>
Mounting	<b>Resilient Base</b>	Motor Orientation	<b>Any</b>
Drive End Bearing	<b>BALL</b>	Opp Drive End Bearing	<b>BALL</b>
Frame Material	<b>Rolled Steel</b>	Overall Length	<b>11.9 in</b>
Frame Length	<b>7.68 in</b>	Shaft Diameter	<b>0.630 in</b>
Shaft Extension	<b>1.88 in</b>		
Outline Drawing	<b>52A107710P1</b>	Connection Diagram	<b>52A105383AC</b>

This is an uncontrolled document once printed or downloaded and is subject to change without notice. Date Created: 06/29/2018



THIRD ANGLE PROJECTION

REV. DESCRIPTION		DATE	APPROVED
11	ADDED PART #5	03/24/00	R.P.C.
12	CHG TO RBC FORMAT PER IS05-1777	03/01/06	SUDHA
13	ADDED GD LEAD AT OE PER IS11-1850	06/29/11	RAJESH

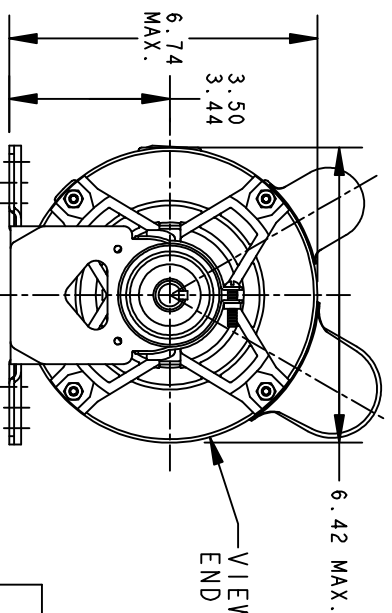
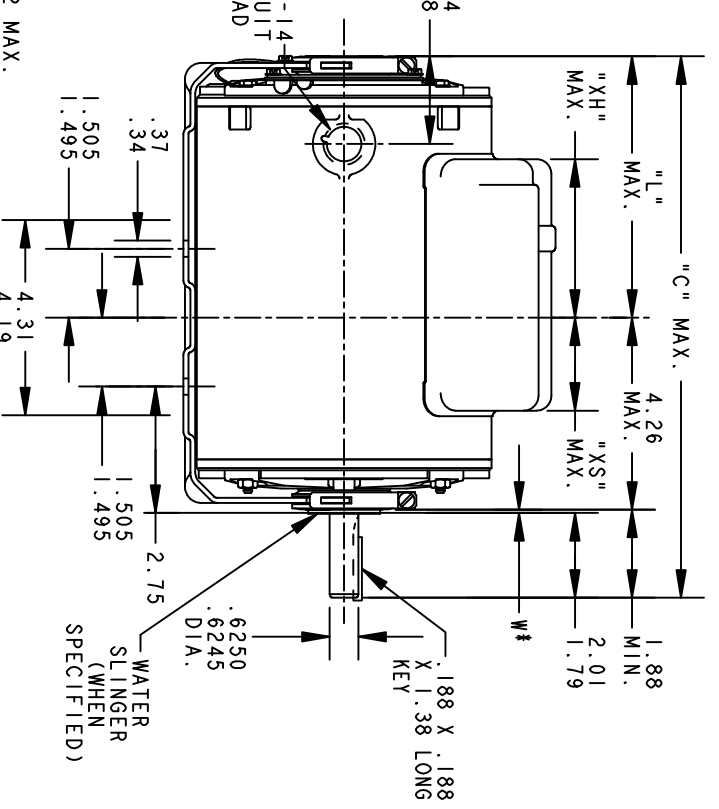
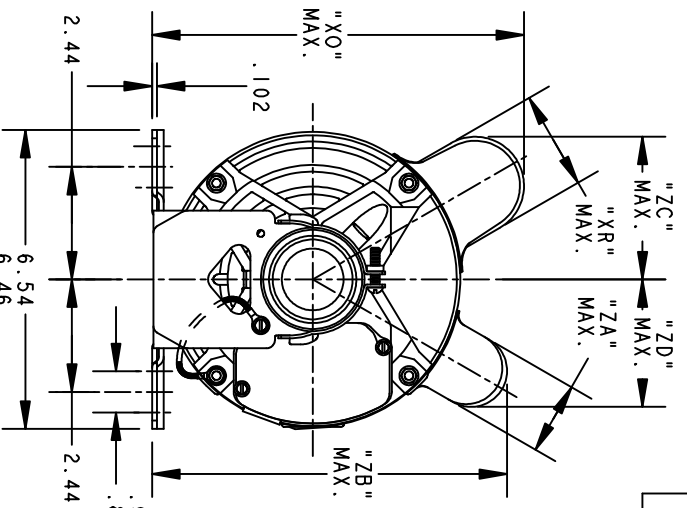
REVISIONS

SHEET 1

REV 13

52A107710

DRAWING NO. A



ALL DIMENSIONS ARE IN INCHES

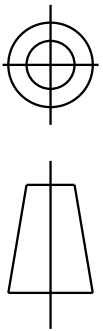
\* W IS A VARIABLE CLEARANCE DUE TO VARIATIONS IN PARTS AND ASSEMBLY

P	TYPE	GE SIZE	NEMA FR.	"C"	"L"	"XH"	"XO"	"XR"	"XS"	"ZA"	"ZB"	"ZC"	"ZD"	MIN. SHELL
5	KCR	48	56	12.66	6.50	3.76	8.18	2.15	2.01	1.60	7.99	3.20	2.86	8.43
4	KCR	49	56	11.38	5.22	3.51	8.18	2.15	2.24	1.60	7.63	3.20	3.16	7.15
3	KCR	46	56	10.78	4.62	2.91	8.18	2.15	2.84	2.40	8.40	3.20	3.38	6.55
2	KCR	46	56	10.78	4.62	2.91	8.18	2.15	2.84	1.60	7.63	3.20	3.16	6.55
1	KCR	49	56	11.91	5.75	3.58	8.18	2.15	2.17	1.60	7.81	3.20	2.86	7.68

SIGNATURES		DATE
MODEL	M.D. PAPE	07/01/91
DETAIL		
CHECKED		
ENGRG		
MFG		
QUALITY		
ISSUED	M.D. PAPE	02/29/93

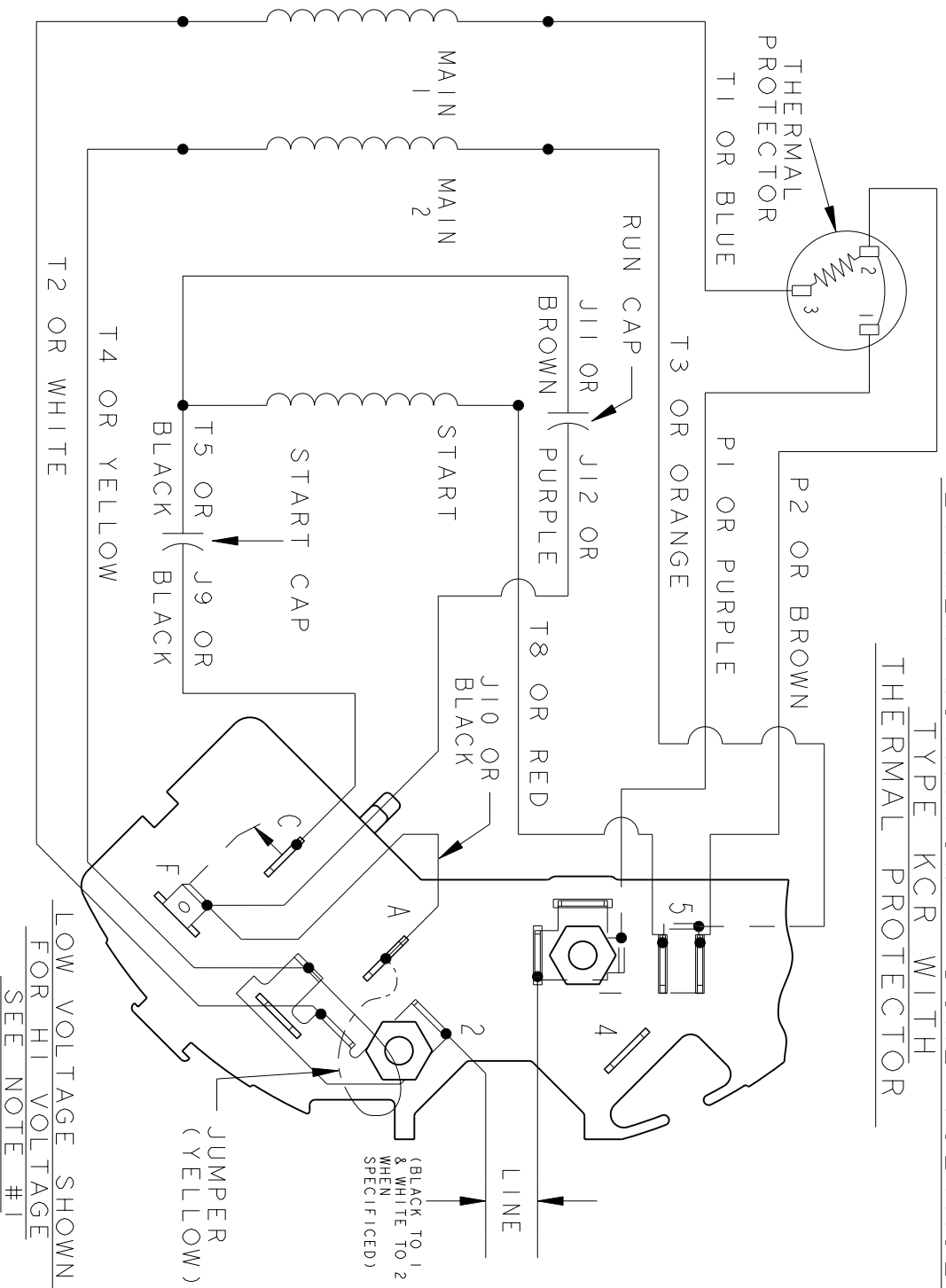
TITLE		SIZE	DRAWING
REGAL-BELOIT CORPORATION		A	A
OUTLINE			
GENERAL PURPOSE MOTOR TENV - BALL BEARING			
RESILIENT BASE FME - 40 FRAME REDESIGN (5KCR49SN0020S)			
SCALE:	0.250	REF. No.:	
SHEET	1 of 1		

52A107710 13



REV.	DESCRIPTION	DATE	APPROVED
4	ADDED NOTE FOR LINE LEAD PER DS09-1045	07/15/09	ARCHANA

EITHER ROTATION - DUAL VOLTAGE  
TYPE KCR WITH  
THERMAL PROTECTOR



- NOTE # 1 - FOR HI VOLTAGE REMOVE BROWN (P2) FROM TERMINAL #5 AND PLACE ON TERMINAL #4, REMOVE WHITE (T2) FROM TERMINAL #2 AND PLACE ON TERMINAL #5.
- NOTE # 2 - TO REVERSE ROTATION INTERCHANGE BLACK (J10) AND RED (T8) LEADS.
- NOTE # 3 - WHEN MORE THAN ONE CAPACITOR IS USED CONNECT IN PARALLEL.

REF. DIAG. - NONE  
SWITCH - 115D958AC  
CONNECTION LABEL - 52X332051

SIGNATURES		DATE
MODEL	M.D. PAPE	03/03/88
DETAIL	.	.
CHECKED	.	.
ENGRG	.	.
MFG	.	.
FOR ADDITIONAL INFO REFER TO:	QUALITY	.
APPLIED PRACTICES	ISSUED	M.D.P. 03/03/88
DIMENSIONS ARE IN INCHES	SOLID MODEL:	52A105383AC



REGAL-BELOIT CORPORATION

CONNECTION DIAGRAM

30 FRAME SWITCH REDESIGN

TITLE	SIZE	DRAWING	SCALE	REF. No.	SHEET	REV
	A		1.000		1 of 1	4